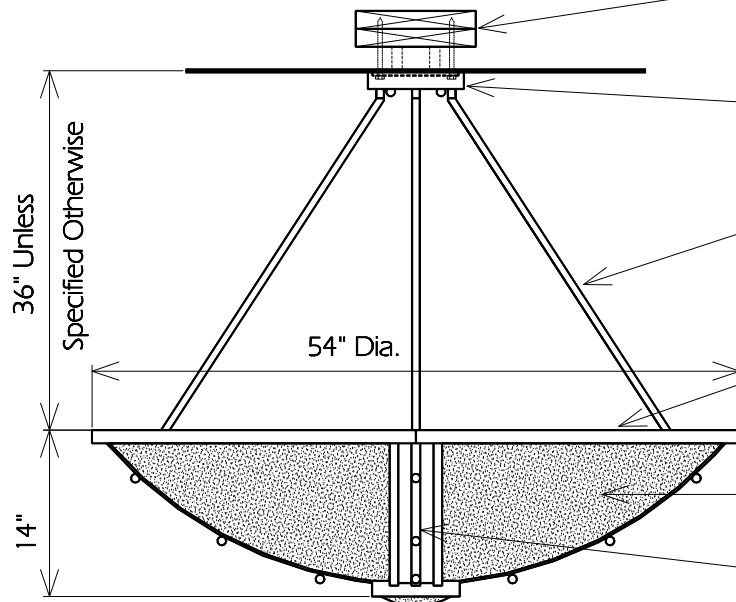


Faux Alabaster Bowls As Selected

Metal Bands With Applied
3/4" x 1/4" Bars

8 Single Lampholders For 75 Watt
A19 Lamps

BOTTOM



Min. 3" Solid Wood Blocking By Others

8" Dia. Canopy With Inner Mounting Pan

4 - 5/8" Dia Support Pendants & 1 - 5/8" Dia.
Pendant In Center To Support Lampholders

36" Unless
Specified Otherwise

54" Dia.

Open Top

Faux Alabaster Bowl As Selected

Metal Bands With Applied
3/4" x 1/4" Bars

14"

SIDE

Faux Alabaster Bowl As Selected

TWO HILLS STUDIO®

Fine Lighting & Decorative Metal Work www.twohillsstudio.com

2706 SOUTH LAMAR BOULEVARD AUSTIN, TEXAS 78704 512-707-7571 FAX 512-707-7524

HANGING LANTERN CHL55

Fixture Is Appropriate For:

- Wet Locations As Shown
- Wet Locations With Glass Or Solid Top Added
- Damp Locations As Shown
- Dry Locations As Shown
- U.L. Approved