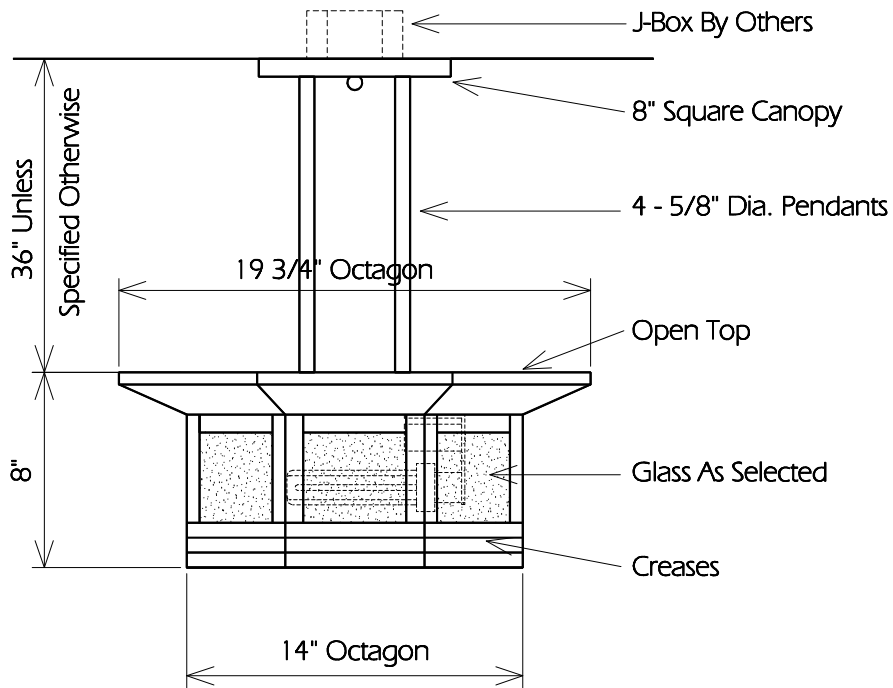


Lay-In Glass Bottom  
 Electronic Ballast & Lampholder  
 For 1 - 42 Watt, Compact Fluor.  
 Lamp (120 or 277 Volt)

BOTTOM



J-Box By Others  
 8" Square Canopy  
 4 - 5/8" Dia. Pendants  
 Open Top  
 Glass As Selected  
 Creases

36" Unless  
 Specified Otherwise  
 8"

19 3/4" Octagon

14" Octagon

SIDE

**TWO HILLS STUDIO®**  
 Fine Lighting & Decorative Metal Work [www.twohillsstudio.com](http://www.twohillsstudio.com)  
 2706 SOUTH LAMAR BOULEVARD AUSTIN, TEXAS 78704 512-707-7571 FAX 512-707-7524

# HANGING LANTERN CHL43

- Fixture Is Appropriate For:
- Wet Locations As Shown
  - Wet Locations With Glass Or Solid Top Added
  - Damp Locations As Shown
  - Dry Locations As Shown
  - U.L. Approved