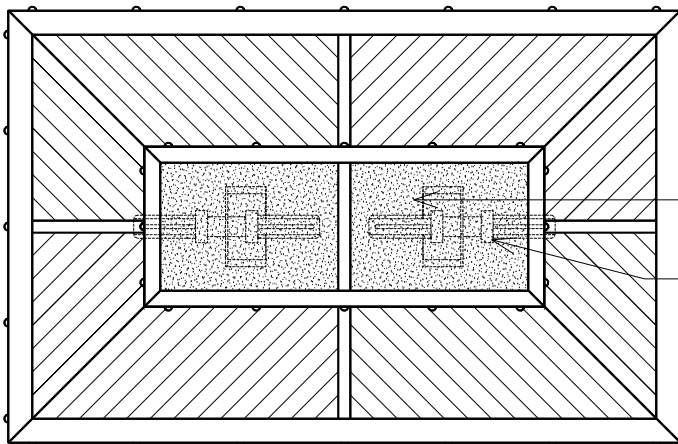


SIDE

END



BOTTOM

Glass Bottom As Selected
 Electronic Ballasts & Lampholders
 For 4 - 32 Watt, Compact Fluor.
 Lamps (120 or 277 Volt)

TWO HILLS STUDIO®

Fine Lighting & Decorative Metal Work www.twohillsstudio.com

2706 SOUTH LAMAR BOULEVARD AUSTIN, TEXAS 78704 512-707-7571 FAX 512-707-7524

CHANDELIER CH4

Fixture Is Appropriate For:

- Wet Locations As Shown
- Wet Locations With Glass Or Solid Top Added
- Damp Locations As Shown
- Dry Locations As Shown
- U.L. Approved